

Double Orifice Air Relief Valve

AW34/1**DN50 - DN200****PN 10/16**

Double Orifice Air Relief Valve will ensure the correct operation of the pipeline networks allowing the release of air pockets during working conditions, the evacuation and the entrance of large volumes of air in case of filling and draining operations.

Technical Details

Maximum Working Pressure PFA:

16 bar / PN16

Working temperature:

Maximum +90°C

Flange Type:

EN 1092-2 PN10 & PN16

(other flange types available on request)

Coating:

300 µm FBE coating, external and internal - RAL5015

Installation:

Assembly in vertical position only

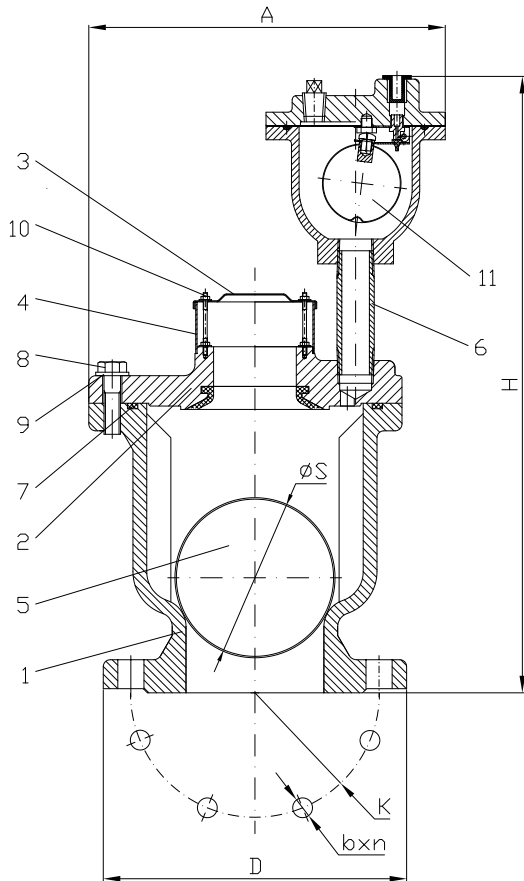
Application:

Installation for water, potable water, irrigation water and other chemically inert fluids

Design features

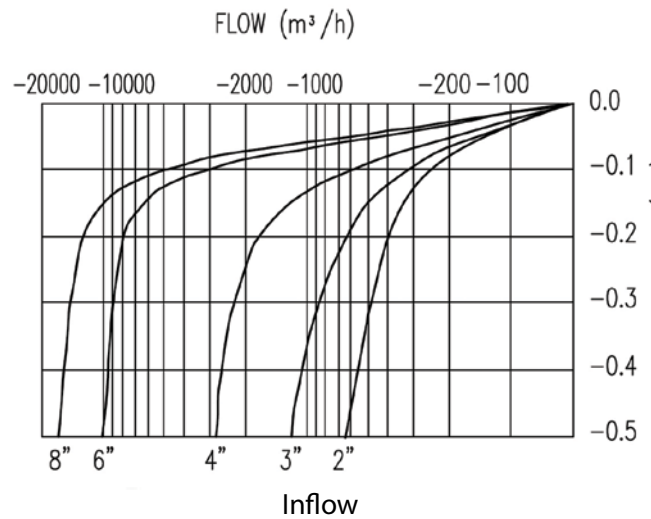
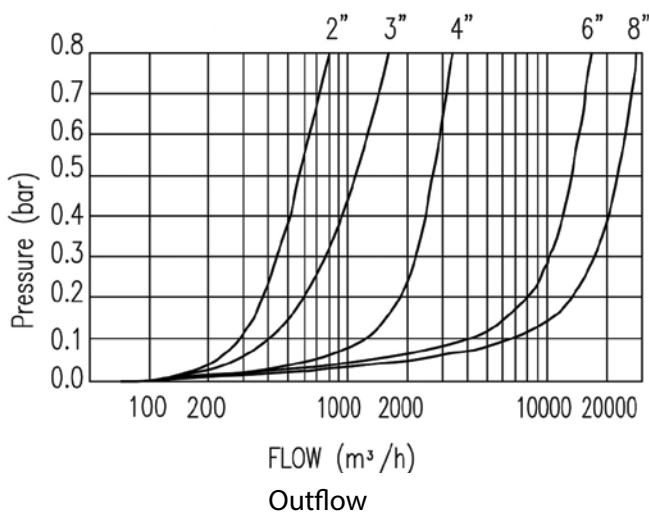
- Actuated only by the process fluid for fully automatic function
- No friction, perfect guiding, no risk of jamming
- Soft seated for perfect tightness at low pressure
- Reduces water hammer surge.





No	Part Name	Material
1	Body	Ductile Iron EN-GJS-500-7
2	Bonnet	Ductile Iron EN-GJS-500-7
3	Cap	Stainless Steel X5CrNiMo17-12-2 / 1.4401 / 316
4	Net	Stainless Steel X5CrNiMo17-12-2 / 1.4401 / 316
5	Ball	Stainless Steel X5CrNiMo17-12-2 / 1.4401 / 316
6	Fitting	Stainless Steel X5CrNi18-10 / 1.4301 / 304
7	Gasket	Elastomer EPDM
8	Bonnet Bolts	Stainless Steel X5CrNiMo17-12-2 / 1.4401 / 316
9	Washer	Stainless Steel X5CrNiMo17-12-2 / 1.4401 / 316
10	Bolts/Nuts/Washers	Stainless Steel X5CrNiMo17-12-2 / 1.4401 / 316
11	Air Vent Valve	Component AE1031

Pressure drop chart



Dimension (mm & kg)

Group	DN	50	65	80	100	150	200
AW34/1	PN10	AE1145	AE1146	AE1147	AE1148	AE1150	AE1151
	PN16						AE1152
A		190,5	230	230	260	320	341
H		370	425	425	450	490	540
ØS		65	94	94	110	150	200
K		125	145	160	180	240	295
b x n	PN16 / PN10	19x4	19x4	19x8	19x8	23x8	23x12 / 23x8
D		165	185	200	220	285	340
Weight	kg	10	13	16	24	39	51